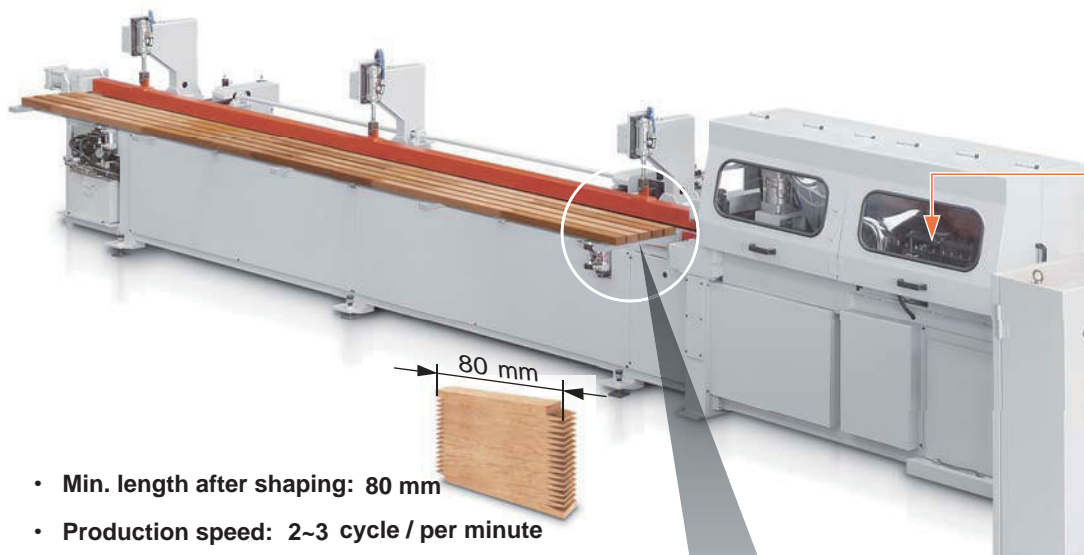
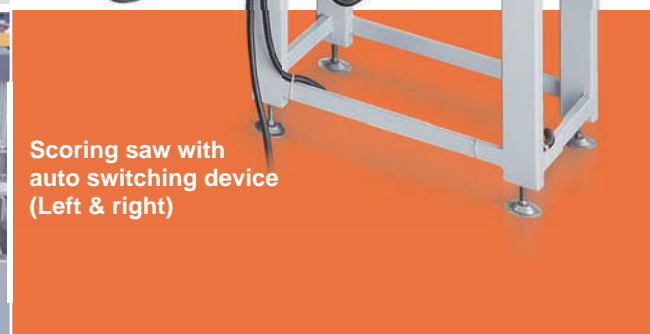
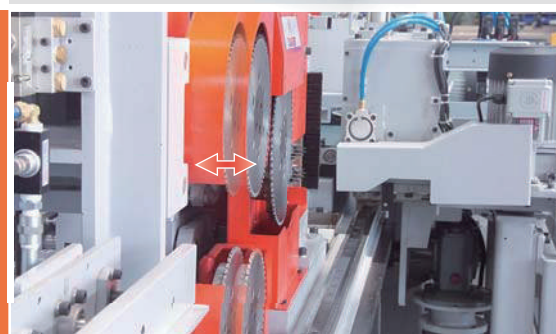
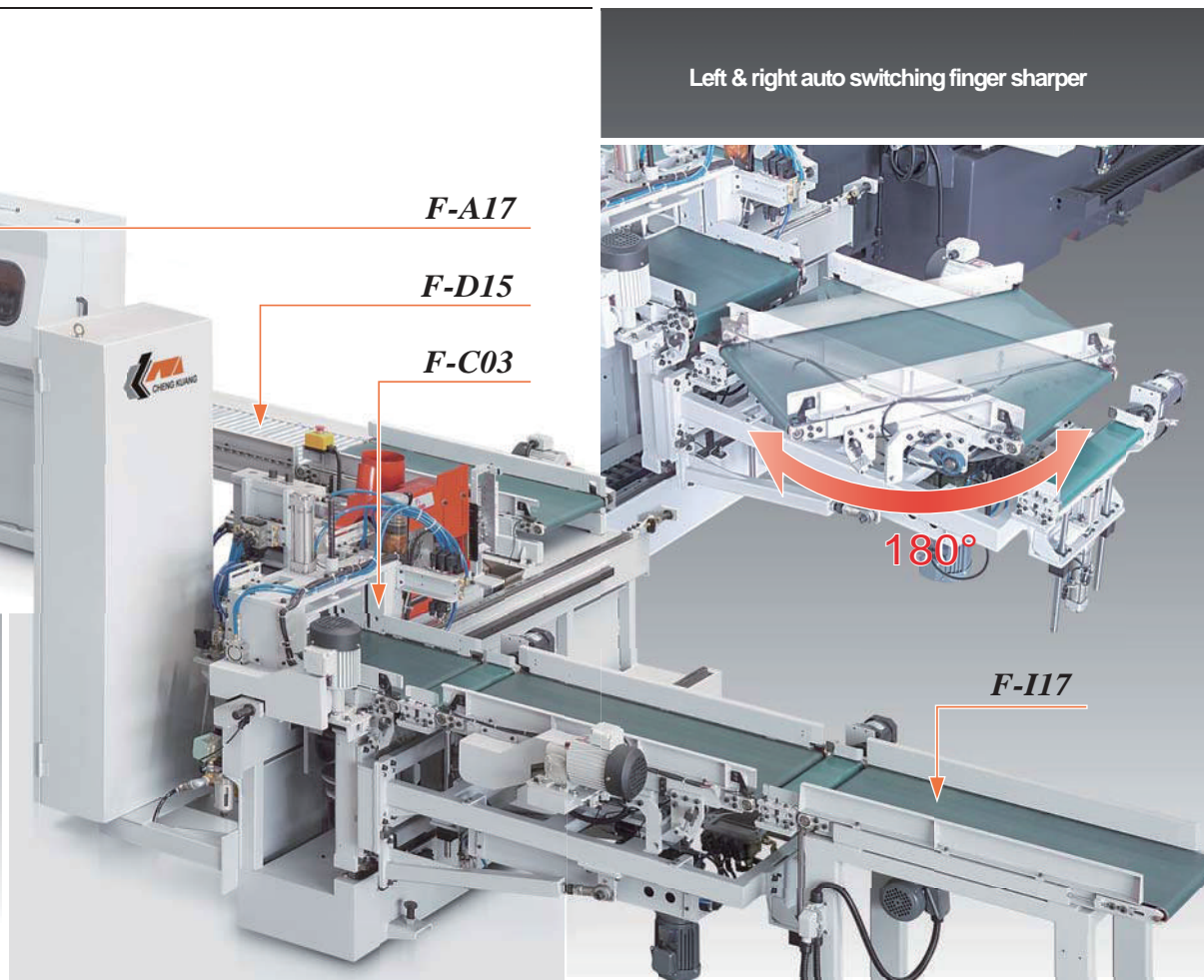
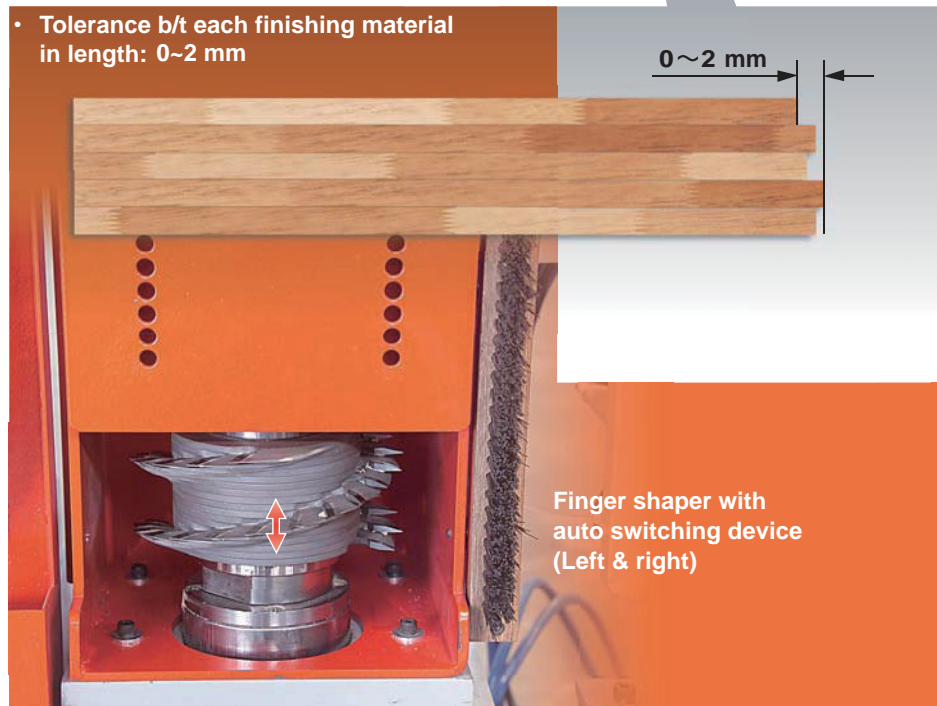




FL-24 FINGER JOINTING LINE



- Min. length after shaping: 80 mm
- Production speed: 2~3 cycle / per minute
- Tolerance b/t each finishing material in length: 0~2 mm



FL-24 FINGER JOINTING LINE

F-C03 FINGER SHARPER

MODEL	
Max. width for working table	450 mm
Range of material length	90 ~ 700 mm
Range of material width	30 ~ 160 mm
Working table moving speed	2~3 cycle/min
Trimming saw speed	2800 rpm (50hz), 3400 rpm (60hz)
Finger cutter speed	5000 rpm
Scoring saw speed	2800 rpm (50hz), 3400 rpm (60hz)

MOTOR HORSEPOWER

Working table motor	1 HP
Auto switching motor	1/4 HP
Conveyer belt motor	1/2 HPx3 / 90 Wx2
Scoring saw motor	1 HPx2
Trimming saw motor	3 HP
Finger cutter motor	7-1/2 HP
Finger cutter diameter	ø70 / ø160 mm
Dust outlet diameter	6"x 1, 4"x 1, 3"x 2
Machine dimension (LxWxH)	3600 x 1740 x 4750 mm

F-A17 FINGER ASSEMBLER

MODEL	2.5M	16'
Length of product	2500 mm	4877 mm
Range of material thickness	15~60 mm	15~60 mm
Range of material width	20~160 mm	20~160 mm
MOTOR HORSEPOWER		
Material feeding motor	2 HP, 1 HP	2 HP, 1 HP
Range of pressing pressure	0~ 100 Kg/cm ²	0~100 Kg/cm ²
Hydraulic pump motor	3 HP	5 HP
Sizing saw motor	5 HP	5 HP
Dust outlet diameter	4"(101.6 mm)	4"(101.6 mm)
Machine dimension (LxWxH)	5130 x 1400 x 1520 mm	7500 x 1400 x 1520 mm

* All specifications, demensions and design characteristics are subject to change without notice.

F-I17 INTIAL AUTOMATIC FEEDING TABLE

MODEL	
Max. width for working table	450 mm
Max. material length	700 mm
Material feeding motor	1/2 HP
Length of working table	730 mm
Width of working table	660 mm
Height of material width	960 mm

F-D15 MANUAL FEEDING TABLE

MODEL	
Max. width for working table	450 mm
Max. material length	700 mm
Length of working table	710 mm
Width of working table	830 mm
Height of working table	960 mm



CKM[®]
Quality & Service

Cheng Kuang Wood Machinery Works Co., Ltd.
No.387, Shoei Yuan Rd., Feng Yuan, Taichung County 42076, Taiwan.
Tel: 886-4-2524 1105 Fax: 886-4-2527 5507
No.6-10, Shen Chin Rd., Ching Shui, Taichung County 43641, Taiwan
Tel: 886-4-2620 1763 Fax: 886-4-2620 3763

Http://www.ckmtw.com.tw E-mail: ckmmail@ckmtw.com.tw